

## Table of contents

<b>Pellet traps - air guns</b>	<b>2</b>
<b>Bullet traps - black powder</b>	<b>2</b>
<b>Range Targets &amp; Accessories</b>	<b>3</b>

Prices VAT 0%, factory in Finland  
Hinnat ALV 0%, tehtaalla suomessa

### SALES

**Line Teppdalen +479 593 1763**  
line.teppdalen@inband-hertar.com



### Design Manager & suomen myynti:

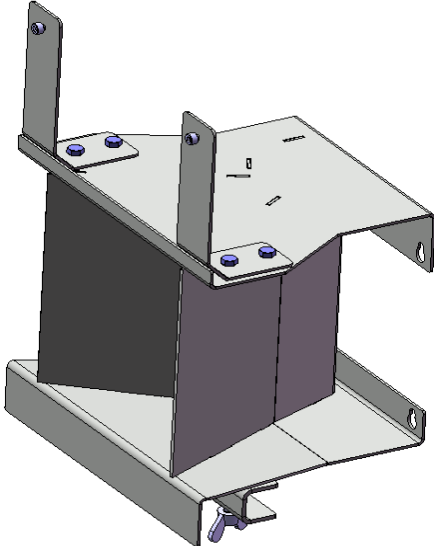
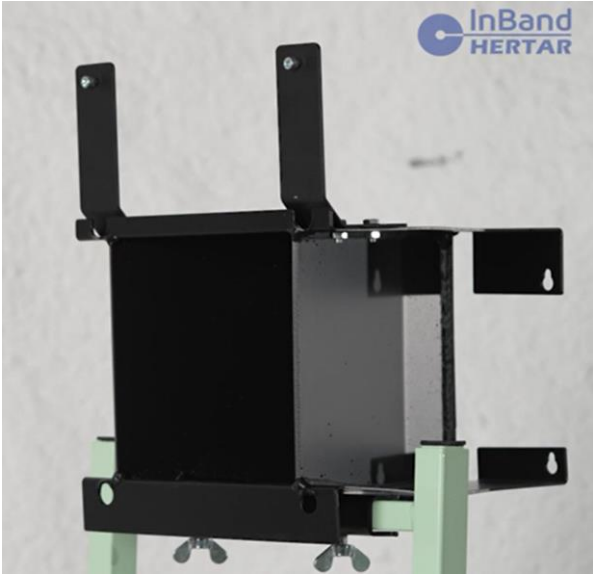
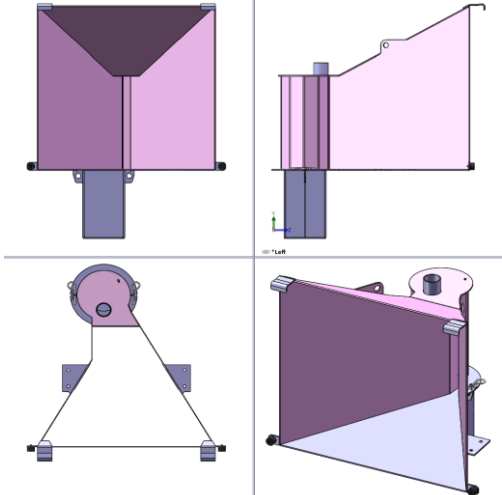
**Lasse Syrjä** 045 271 1490  
[lasse@inband-hertar.com](mailto:lasse@inband-hertar.com)

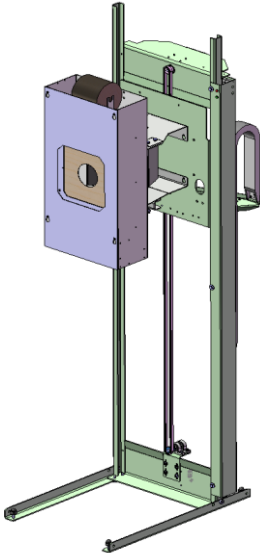
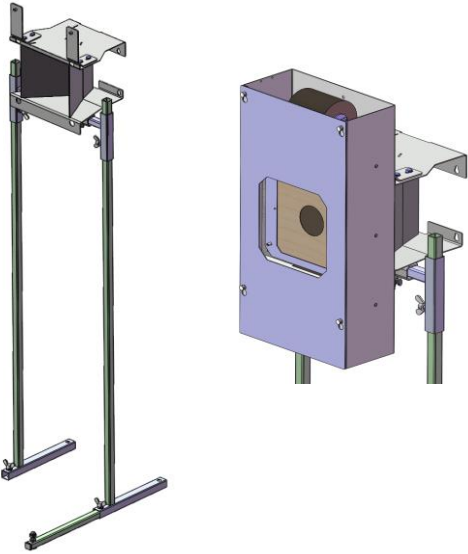



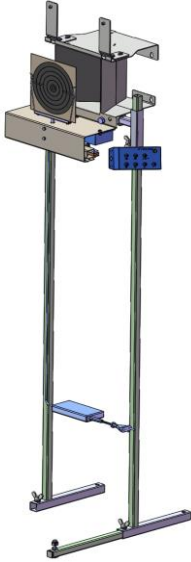
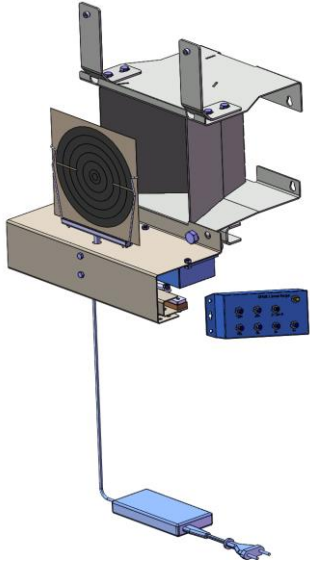
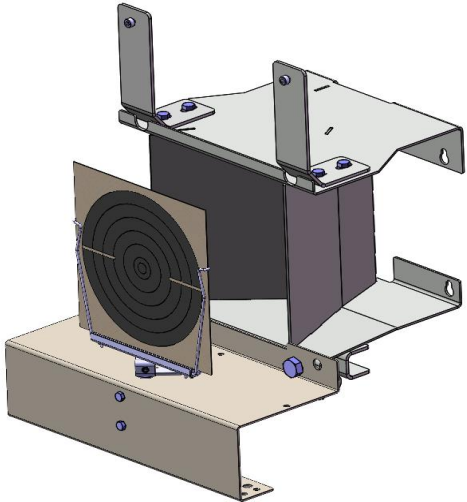
YouTube HERTAR Oy


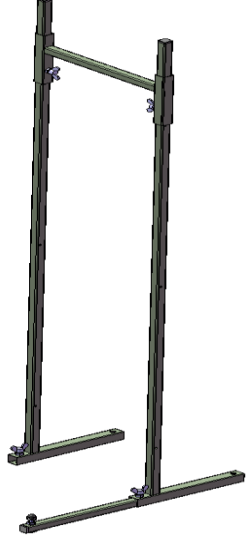
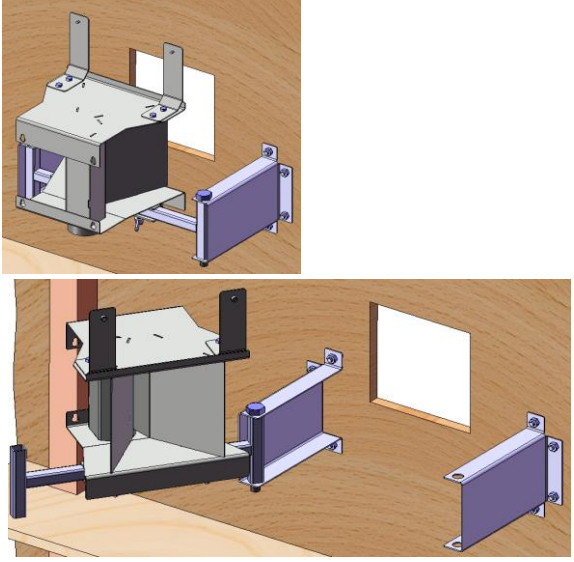
<https://www.youtube.com/playlist?list=PLsZzUVXTiJuAawYpui3CH3H9ss8MEx-vq>



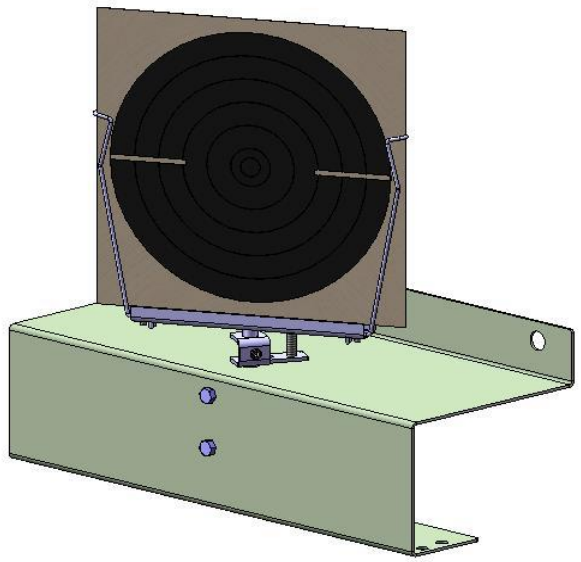


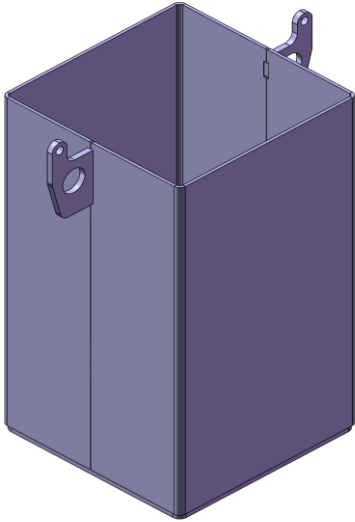
Product	Features	€	Image
<b>Pellet traps - air guns</b>			
3329	<p><b>170x170</b> depth 200</p> <p><b>InBand special product</b></p> <p>No separate adapter is required</p> <ul style="list-style-type: none"> <li>- light Pellet trap 3,5kg</li> <li>- wall-mounted from rear or fastening to H-part (4112)</li> <li>- to the front it is possible to fasten InBand Electronic target</li> </ul> <p>Powder paint RAL7035, gray</p>	144	
<b>Bullet traps - black powder</b>			
3982	<p><b>170x170 22 lr.</b> depth 252</p> <p><b>InBand special product</b></p> <p>Machine Felt (3527)</p> <p>No separate adapter is required</p> <ul style="list-style-type: none"> <li>- light Pellet trap 6,2kg</li> <li>- wall-mounted from rear or fastening to H-part (4112)</li> <li>- to the front it is possible to fasten InBand Electronic target</li> </ul> <p>Powder paint, black</p>	227	
4236	<p><b>600x600 Pistol OMNI</b></p> <p><b>InBand special product</b></p> <ul style="list-style-type: none"> <li>- depth 682mm, mass 51kg</li> <li>- hit surfaces boron steel</li> <li>- round welded</li> <li>- recommended to use vacuum cleaner, especially when using indoors (outlet pipe diameter 51mm)</li> <li>- Trash collector included</li> </ul> <p>Painted RAL7035</p>	574	

Product	Features	€	Image
3169	<b>3P Device</b> 3 Position device (2951) 170x170 (3259) and with -Power supply ( – 12 V dc system with radio control for "standing", "kneeling" and "prone" – control light indicates red when moving and green when shooting allowed. – chain drive and roller bearings – robust stand is easy to remove (Does not include InBand device)	764	
3483	<b>InBand Pellet</b> with Foot package 170x170 (3329) Foot package (3528) – the height is adjustable with (Does not include InBand device)	255	
4755	<b>InBand Bullet</b> with Foot package 600x600 (4236) Foot package (4202) - the height is adjustable with (Does not include InBand device)	944	

Product	Features	€	Image
<b>Range Targets &amp; Accessories</b>			
3172	<b>UNO Master with Pellet and Foot package</b> UNO Master with Pellet (2938), Foot package (3528) – the height is adjustable – Possible to connect 5 slaves with wires.	618	
2938	<b>UNO Master with Pellet</b> -UNO Master (3988) -170x170 (3329) -Power supply 12V 5A  – 12V gear motor device radio signal control. Seven program; 150s, 20s, 10s, 8s, 6s, 4s, 5x3s+7s.. – Possible to connect 5 slaves with wires.	506	
2939	<b>UNO Slave with Pellet</b> -UNO Slave (2929) -170x170 (3329) – mechanical connection to Master device	311	

Product	Features	€	Image
4202	<b>Foot package OMNI</b> painted RAL7035 or black	370	
3528	<b>Foot package</b> (170x170 Pellet) painted RAL7035 or black	112	
3712	<b>Swivel rack behind the wall</b> Pellet 170x170 (3329) -2pcs support and H-part	190	

Product	Features	€	Image
<b>Range Targets &amp; Accessories</b>			
2951	<b>3 Position device, remote control</b> – 12 Vdc system with radio control for "standing", "kneeling" and "prone" – control light indicates red when moving and green when shooting allowed. – chain drive and roller bearings – robust stand	620	
3988	<b>UNO Turning device Master</b> – 12V gear motor device radio signal control. Seven program; 150s, 20s, 10s, 8s, 6s, 4s, 5x3s+7s. Included in delivery turning device, transformer, remote control jar and remote control after the key. – Possible to connect 5 slaves with wires. – it is possible to connect to all the 170x170 Pellet traps with bolts and nuts	343	
2929	<b>UNO Turning device Slave</b> – mechanical connection to Master device – it is possible to use separately or connect to any 170x170 Pellet traps with bolts and nuts.	167	

Product	Features	€	Image
<b>Range Targets &amp; Accessories</b>			
4286	<b>Trash collector</b> Powder paint  Weight empty 3kg and 2/3 full of lead 67kg	95	
T25225	<b>170x170 depth354</b> OLD design - painted, 4,5kg -old model, new ones and some used in competition -partly welded -fastening H-part (stock 20pcs)	70	